

ELECTRICAL DRAWINGS

LEGEND

SYMBOLS	NOTATION
●	SUB FEEDER PILLAR TO FINAL SUB-CIRCUITS
—●—	6" OR 8" OR 12", 10 BARS PRESSURE PIPE
—○—	100mm, 8 BARS PVC PIPE
□	700mm*700mm/1000mm*1000mm MANHOLE



Land Use Analysis

land use	area(sqm)	area(ha)	area(%)	colour
residential				
comercial				
recreation				
circulation				
industrial				
public				
public				
total				

sheet no: 1

client: total cooperative

drawing title: power distribution(sub feeders pillars)/ cable routing layout drawing

project: site and services scheme

location: trans amadi garden, port harcourt city local government area, rivers state, nig.

Consultant:

- ENGINEERING DESIGNS
- CONSTRUCTION
- PROCUREMENT
- REAL ESTATE DEVELOPMENT

No. 5, Nnanta Close, Off Ekere Street, Port-Harcourt, Rivers State.
 PHONE: 08184243382, 08023253100
 E-MAIL: geodyamicsresponse@yahoo.com

designed by:	Idongesit I. Enang	
drawn by:	Idongesit I. Enang	
checked by:	Nnadi Johnson	
approved by:		
scale :	revision:	date :
1:1000	1.1.0	november, 2021.

LEGEND

SYMBOLS	NOTATION
	250KVA/300KVA. 33/0.415KV TRANSFORMER
	34FT FOUR CORNER HIGH TENSION CONCRETE POLE
	TRANSFORMER FEEDER PILLARS
	100mm, 8 BARS PVC PIPE
	700mm*700mm/1000mm*1000mm MANHOLE
	EARTH PIT



Land Use Analysis

land use	area(sqm)	area(ha)	area(%)	colour
residential				
comercial				
recreation				
circulation				
industrial				
public				
total				

sheet no: 2

client: total cooperative

drawing title: power distribution (distributed transformers and peripherals)

project: site and services scheme

location: trans amadi garden, port harcourt city
local government area, rivers state, nig.

Consultant:

- ENGINEERING DESIGNS
- CONSTRUCTION
- PROCUREMENT
- REAL ESTATE DEVELOPMENT

No. 5, Nnanta Close, Off Ekere Street,
Port-Harcourt,
Rivers State.
PHONE: 08184243382, 08023253100
E-MAIL: geodyamicsresponse@yahoo.com

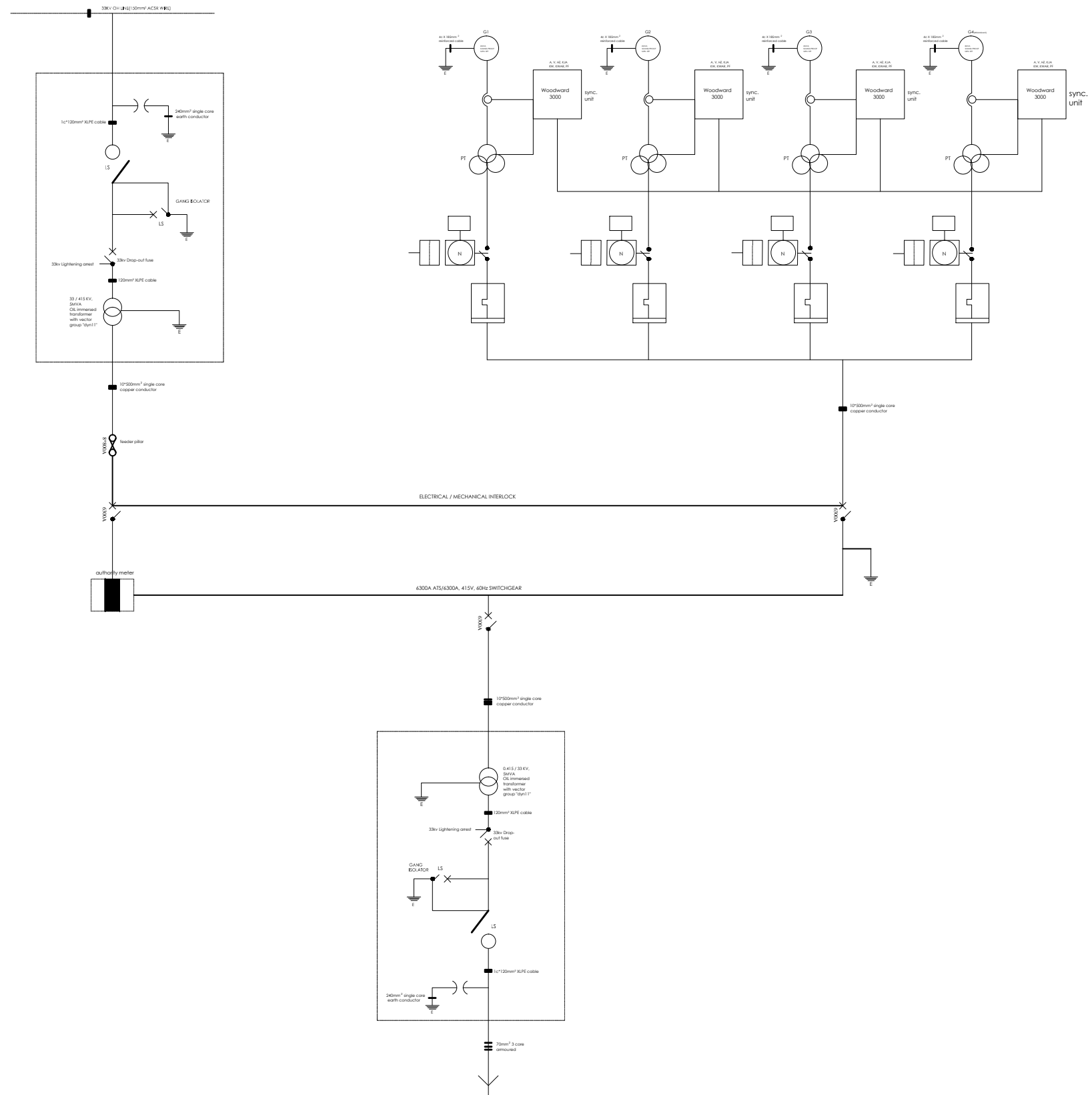
designed by: Idongesit I. Enang

drawn by: Idongesit I. Enang

checked by: Nnadi Johnson

approved by:

scale : 1:1000 revision: 1.1.0 date : november, 2021.



ABBREVIATION	NOTATION
TFP	TRANSFORMER FEEDER PILLAR
MFP	MAIN FEEDER PILLAR
SFP	SUB FEEDER PILLAR
E	EARTHING

Land Use Analysis				
land use	area(sq.m)	area(ha)	area(%)	colour
residential				
comercial				
recreation				
circulation				
industrial				
public				
public				
total				

sheet no: 3

client: total cooperative

drawing title: electrical overall single line diagram(page 1 of 3)

project: site and services scheme

location: trans amadi garden, port harcourt city local government area, rivers state, nig.

Consultant:

- ENGINEERING DESIGNS
- CONSTRUCTION
- PROCUREMENT
- REAL ESTATE DEVELOPMENT

No. 5, Nnanta Close, Off Ekere Street, Port-Harcourt, Rivers State.
 PHONE: 08184243382, 08023253100
 E-MAIL: geodyamicsresponse@yahoo.com

designed by: Idongesit I. Enang

drawn by: Idongesit I. Enang

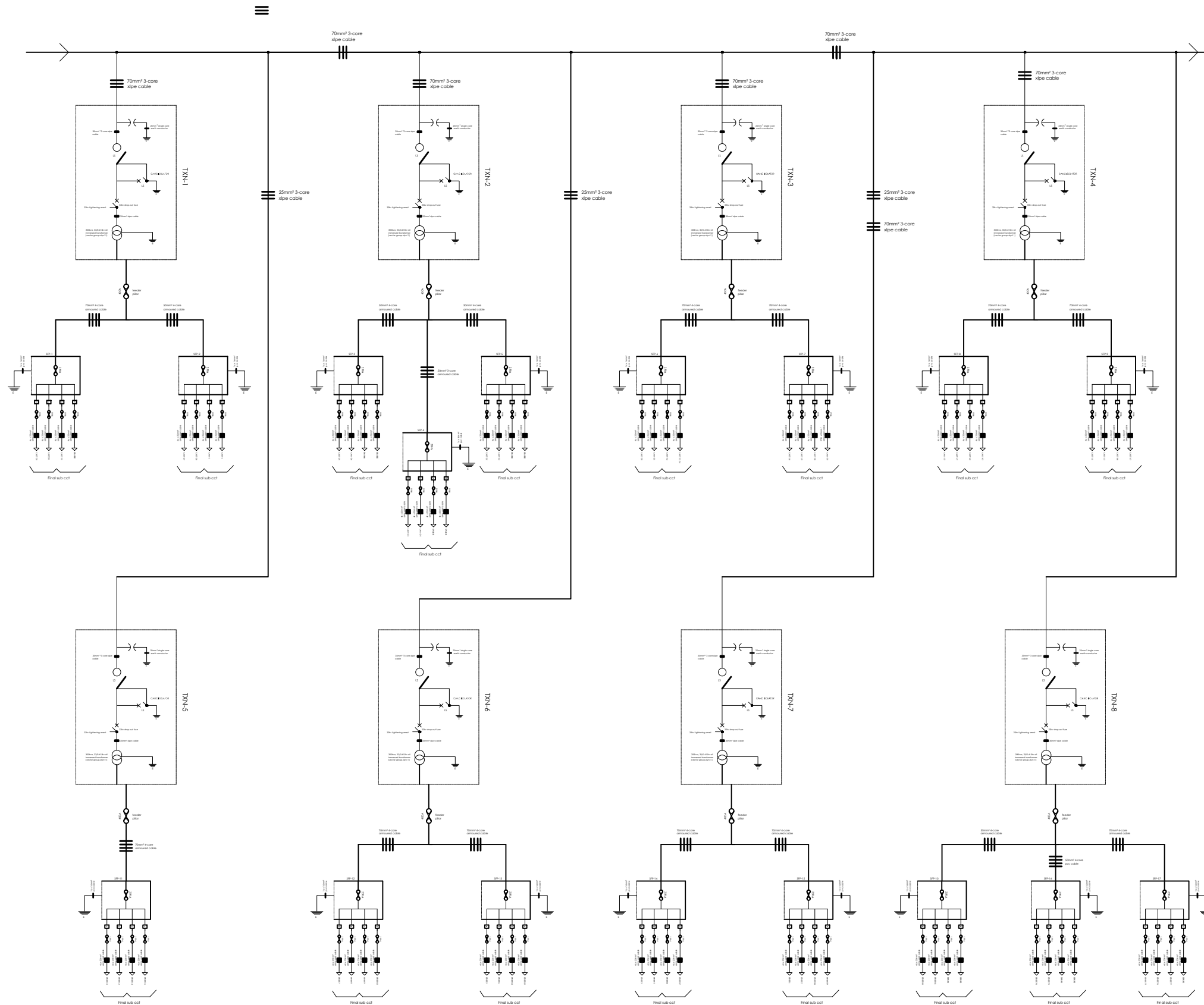
checked by: Nnadi Johnson

approved by:

scale : 1:1000

revision: 1.1.0

date : november, 2021.



ABBREVIATION	NOTATION
TFP	TRANSFORMER FEEDER PILLAR
MFP	MAIN FEEDER PILLAR
SFP	SUB FEEDER PILLAR
E	EARTHING

Land Use Analysis				
land use	area(sq.m)	area(ha)	area(%)	colour
residential				
comercial				
recreation				
circulation				
industrial				
public				
total				

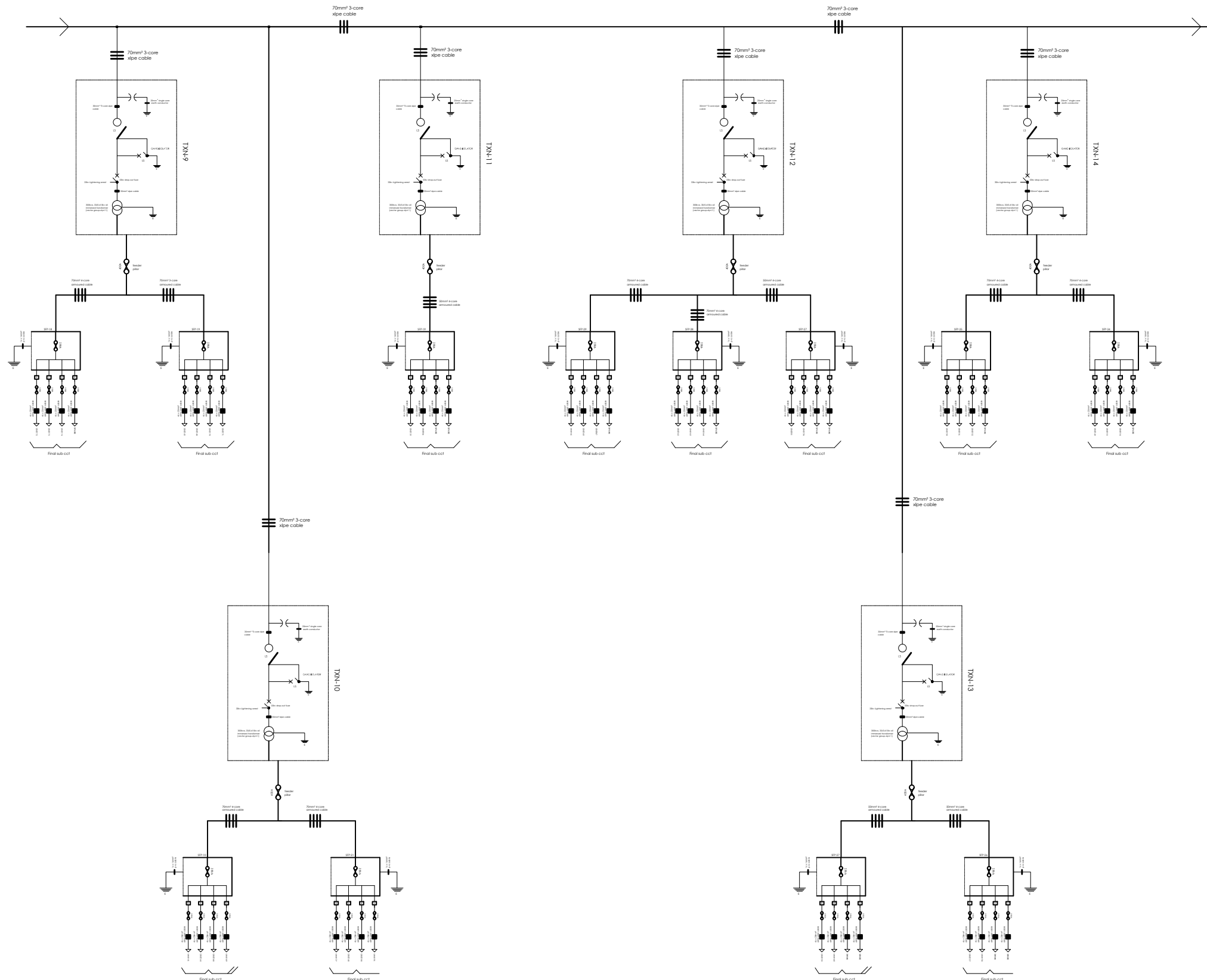
sheet no:	4
client:	total cooperative
drawing title:	electrical overall single line diagram (page 2 of 3)
project:	site and services scheme
location:	trans amadi garden, port harcourt city local government area, rivers state, nig.

Consultant:

- ENGINEERING DESIGNS
- CONSTRUCTION
- PROCUREMENT
- REAL ESTATE DEVELOPMENT

NO. 5, Nnanta Close, Off Ekere Street,
Port-Harcourt,
Rivers State.
PHONE: 08184243382, 08023253100
E-MAIL: geodyamicsresponse@yahoo.com

designed by:	Idongesit I. Enang	
drawn by:	Idongesit I. Enang	
checked by:	Nnadi Johnson	
approved by:		
scale :	revision:	date :
1:1000	1.1.0	november, 2021.



ABBREVIATION	NOTATION
TFP	TRANSFORMER FEEDER PILLAR
MFP	MAIN FEEDER PILLAR
SFP	SUB FEEDER PILLAR
E	EARTHING

Land Use Analysis				
land use	area(sq.m)	area(ha)	area(%)	colour
residential				
comercial				
recreation				
circulation				
industrial				
public				
total				

sheet no: 5

client: total cooperative

drawing title: electrical overall single line diagram (page 3 of 3)

project: site and services scheme

location: trans amadi garden, port harcourt city
local government area, rivers state, nig.

Consultant:

- ENGINEERING DESIGNS
- CONSTRUCTION
- PROCUREMENT
- REAL ESTATE DEVELOPMENT

No. 5, Nnanta Close, Off Ekere Street,
Port-Harcourt,
Rivers State.
PHONE: 08184243382, 08023253100
E-MAIL: geodyamicsresponse@yahoo.com

designed by: Idongesit I. Enang

drawn by: Idongesit I. Enang

checked by: Nnadi Johnson

approved by:

scale : 1:1000
revision: 1.1.0
date : november, 2021.

LEGEND

SYMBOLS	NOTATION
	500W, 2-PROJECTORS SOLAR SREET LAMP
	500W, 1-PROJECTORS SOLAR SREET LAMP



Land Use Analysis

land use	area(sqm)	area(ha)	area(%)	colour
residential				
comercial				
recreation				
circulation				
industrial				
public				
total				

sheet no: 6

client: total cooperative

drawing title: pv power street lightings layout drawing

project: site and services scheme

location: trans amadi garden, port harcourt city
local government area, rivers state, nig.

Consultant:

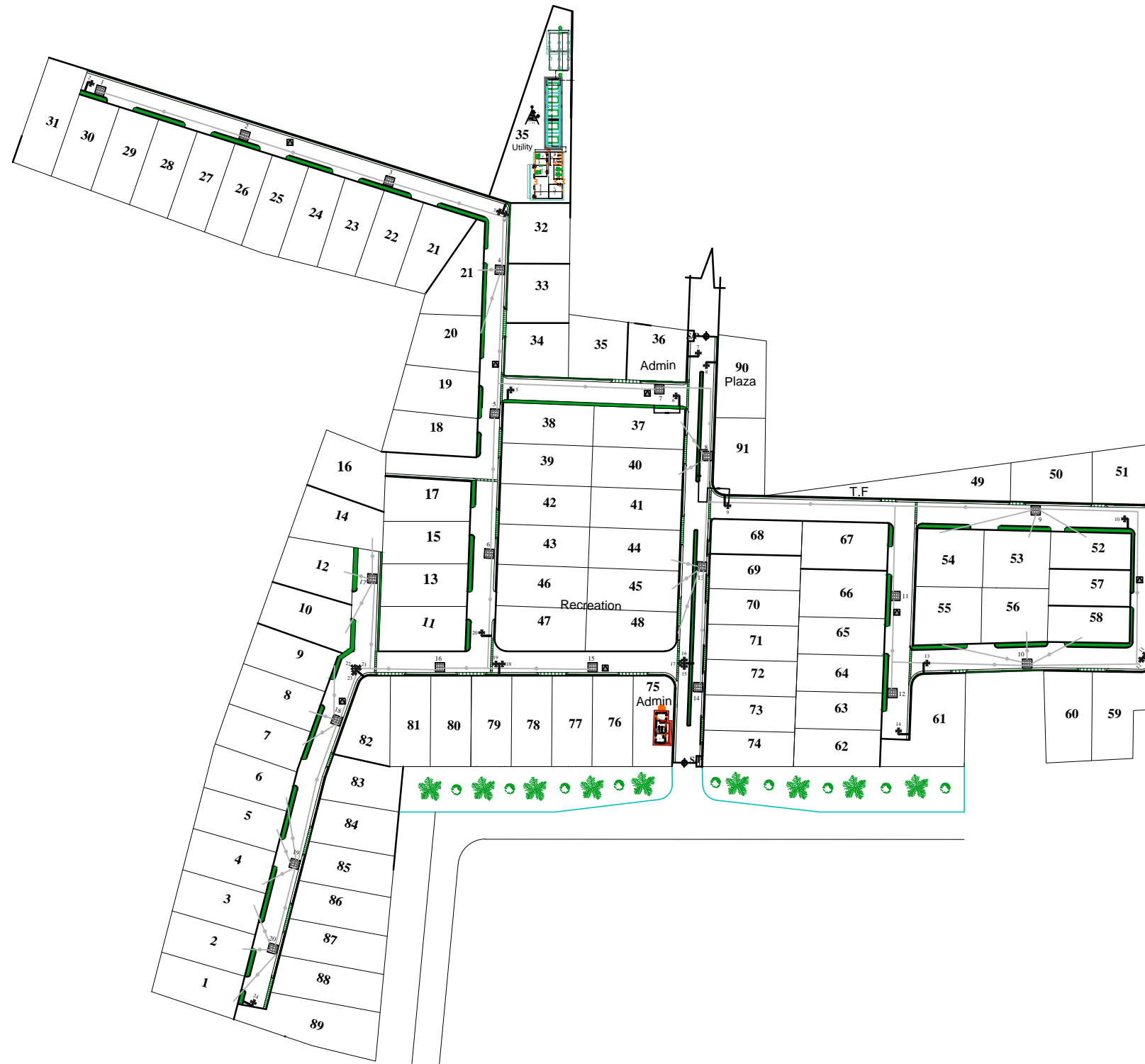
- ENGINEERING DESIGNS
- CONSTRUCTION
- PROCUREMENT
- REAL ESTATE DEVELOPMENT

No. 5, Nnanta Close, Off Ekere Street,
Port-Harcourt,
Rivers State.
PHONE: 08184243382, 08023253100
E-MAIL: geodyamicsresponse@yahoo.com

designed by:	Idongesit I. Enang	
drawn by:	Idongesit I. Enang	
checked by:	Nnadi Johnson	
approved by:		
scale :	revision:	date :
1:1000	1.1.0	november, 2021.

LEGEND

SYMBOLS	NOTATION
	FIBRE OUTDOOR CABINET
	COMMUNICATION MAST
	PTZ IP CAMERA
	25 FEET GALVANIZE POLE
	100mm, 10 BARS PRESSURE PIPE
	EARTH PIT



Land Use Analysis

land use	area(sqm)	area(ha)	area(%)	colour
residential				
comercial				
recreation				
circulation	total co-operative			
industrial				
public				
public				
total				

sheet no: 7

client: total cooperative

drawing title: internet connection(IPNX) and closed circuit television layout drawing

project: site and services scheme

location: trans amadi garden, port harcourt city local government area, rivers state, nig.

Consultant:

- ENGINEERING DESIGNS
- CONSTRUCTION
- PROCUREMENT
- REAL ESTATE DEVELOPMENT

NO. 5, Nnanta Close, Off Ekere Street, Port-Harcourt, Rivers State.
 PHONE: 08184243382, 08023253100
 E-MAIL: geodyamicsresponse@yahoo.com

designed by:	Idongesit I. Enang	
drawn by:	Idongesit I. Enang	
checked by:	Nnadi Johnson	
approved by:		
scale :	revision:	date :
1:1000	1.1.0	november, 2021.

LEGEND

ABBREVIATION	MEANING
OFC	OPTICAL FIBRE CABLE
E	EARTHING

Land Use Analysis				
land use	area(sq m)	area(ha)	area(%)	colour
residential				
comercial				
recreation				
circulation				
industrial				
public				
total				

sheet no: 8

client: total cooperative

drawing title: local area network(ipnx or vodacom) and cctv topology (page 1 of 2)

project: site and services scheme

location: trans amadi garden, port harcourt city local government area, rivers state, nig.

Consultant:

- ENGINEERING DESIGNS
- CONSTRUCTION
- PROCUREMENT
- REAL ESTATE DEVELOPMENT

No. 5, Nnanta Close, Off Ekere Street, Port-Harcourt, Rivers State.
 PHONE: 08184243382, 08023253100
 E-MAIL: geodyamicsresponse@yahoo.com

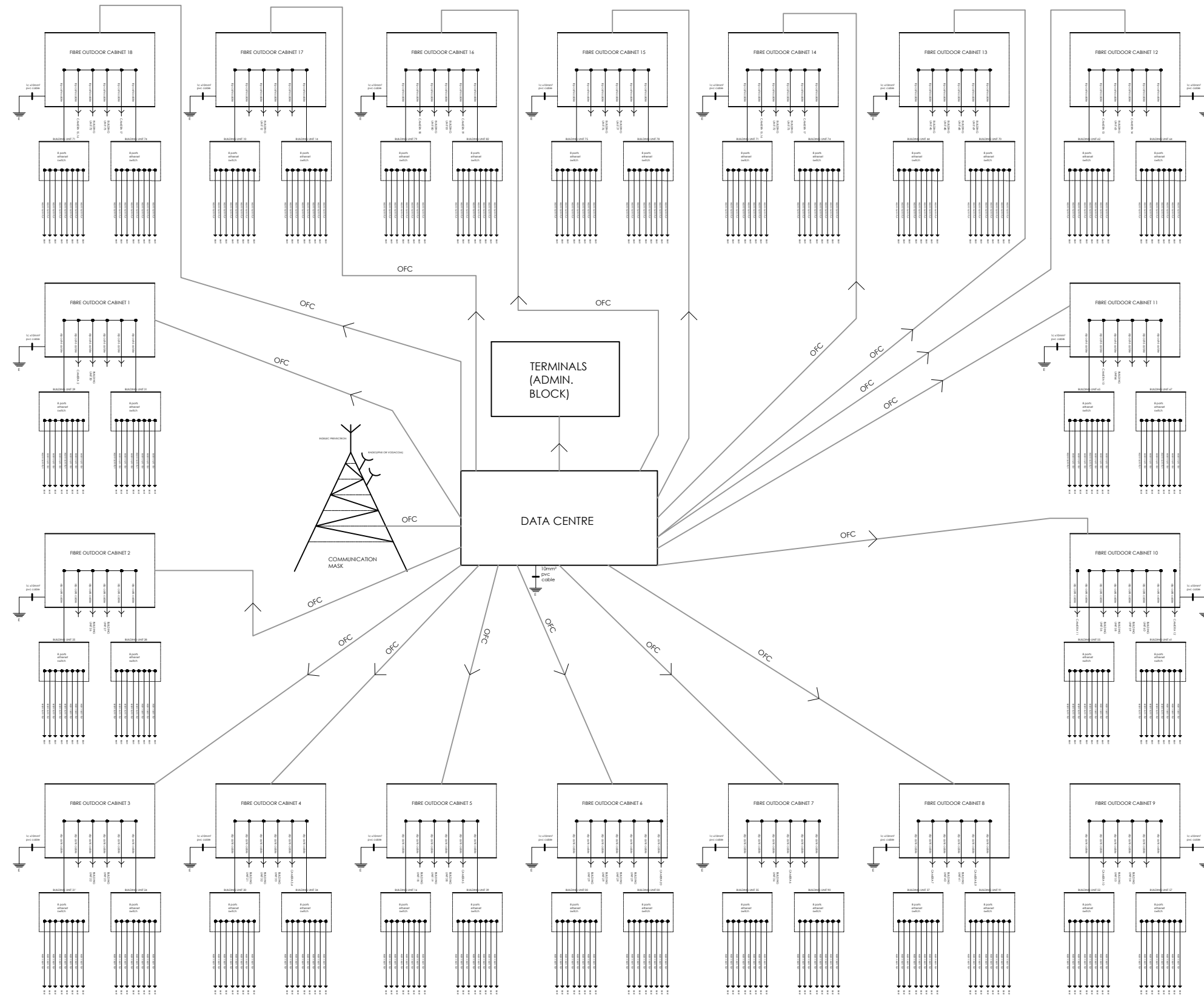
designed by: Idongesit I. Enang

drawn by: Idongesit I. Enang

checked by: Nnadi Johnson

approved by:

scale : 1:1000 revision: 1.1.0 date : november, 2021.



LEGEND

ABBREVIATION	MEANING
TFP	TRANSFORMER FEEDER PILLAR
E	EARTHING

Land Use Analysis				
land use	area(sqm)	area(ha)	area(%)	colour
residential				
comercial				
recreation				
circulation				
industrial				
public				
public				
total				

sheet no: 9

client: total cooperative

drawing title: local area network(ipnx or vodacom) and cctv topology (page 2 of 2)

project: site and services scheme

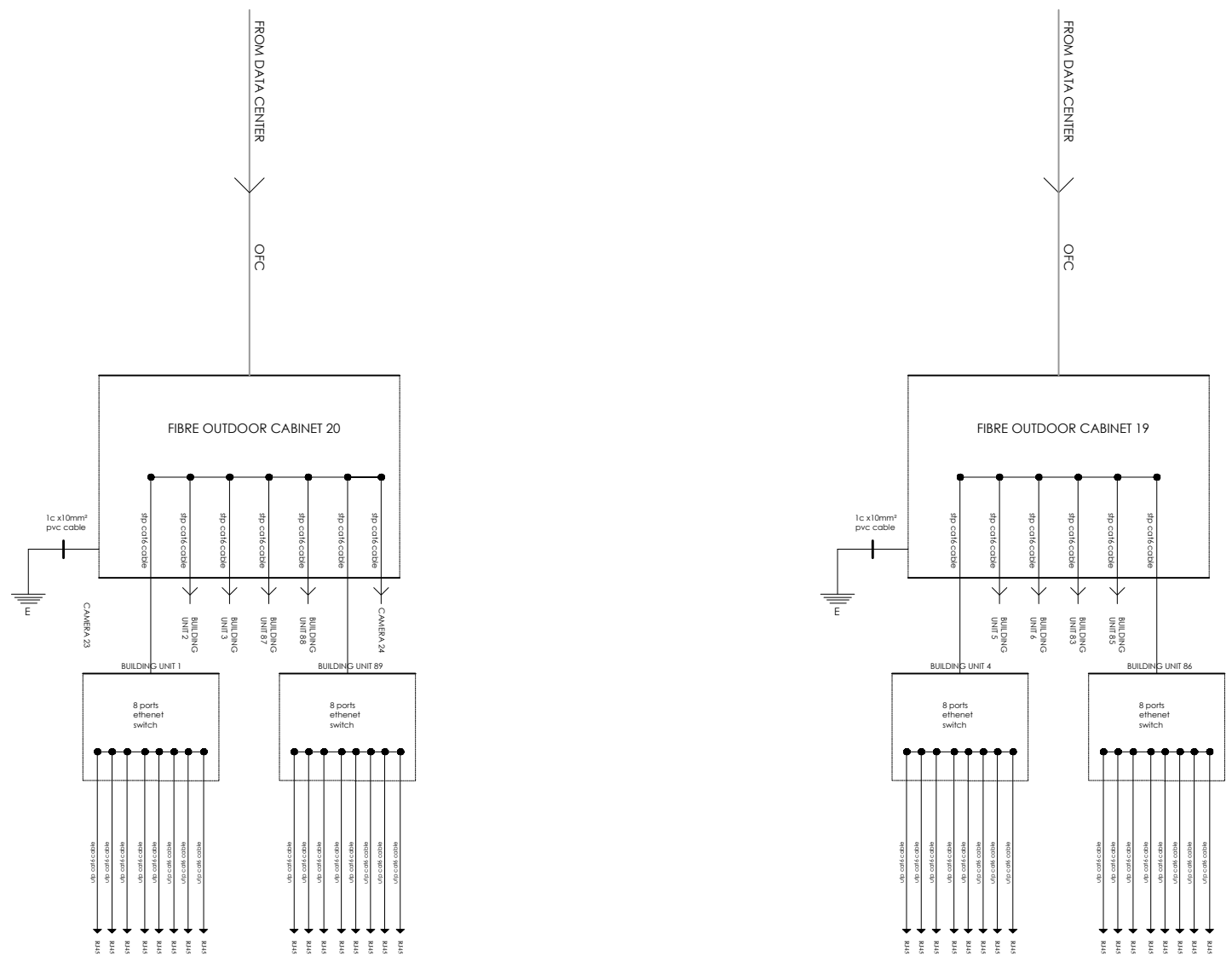
location: trans amadi garden, port harcourt city
local government area, rivers state, nig.

Consultant:

- ENGINEERING DESIGNS
- CONSTRUCTION
- PROCUREMENT
- REAL ESTATE DEVELOPMENT

No. 5, Nnanta Close, Off Ekere Street,
Port-Harcourt,
Rivers State.
PHONE: 08184243382, 08023253100
E-MAIL: geodyamicsresponse@yahoo.com

designed by:	Idongesit I. Enang	
drawn by:	Idongesit I. Enang	
checked by:	Nnadi Johnson	
approved by:		
scale :	revision:	date :
1:1000	1.1.0	november, 2021.



LEGEND

NOTATION	MEANING
	TRANSFORMER BASE DIMENSION WITH CLEARANCE
	CABLE TRENCH
	WIRE MESH PERIMETER FENCE
	34/40FT HIGH TENSION ELECTRICAL POLE
	12/15 GRANITE

Land Use Analysis				
land use	area(sqm)	area(ha)	area(%)	colour
residential				
comercial				
recreation				
circulation				
industrial				
public				
public				
total				

sheet no: 10

client: total cooperative

drawing title: transformer's plinth details

project: site and services scheme

location: trans amadi garden, port harcourt city
local government area, rivers state, nig.

Consultant:

ENGINEERING DESIGNS
CONSTRUCTION
PROCUREMENT
REAL ESTATE DEVELOPMENT

No. 5, Nnanta Close, Off Ekere Street,
Port-Harcourt,
Rivers State.

PHONE: 08184243382, 08023253100

E-MAIL: geodyamicsresponse@yahoo.com

designed by: Idongesit I. Enang

drawn by: Idongesit I. Enang

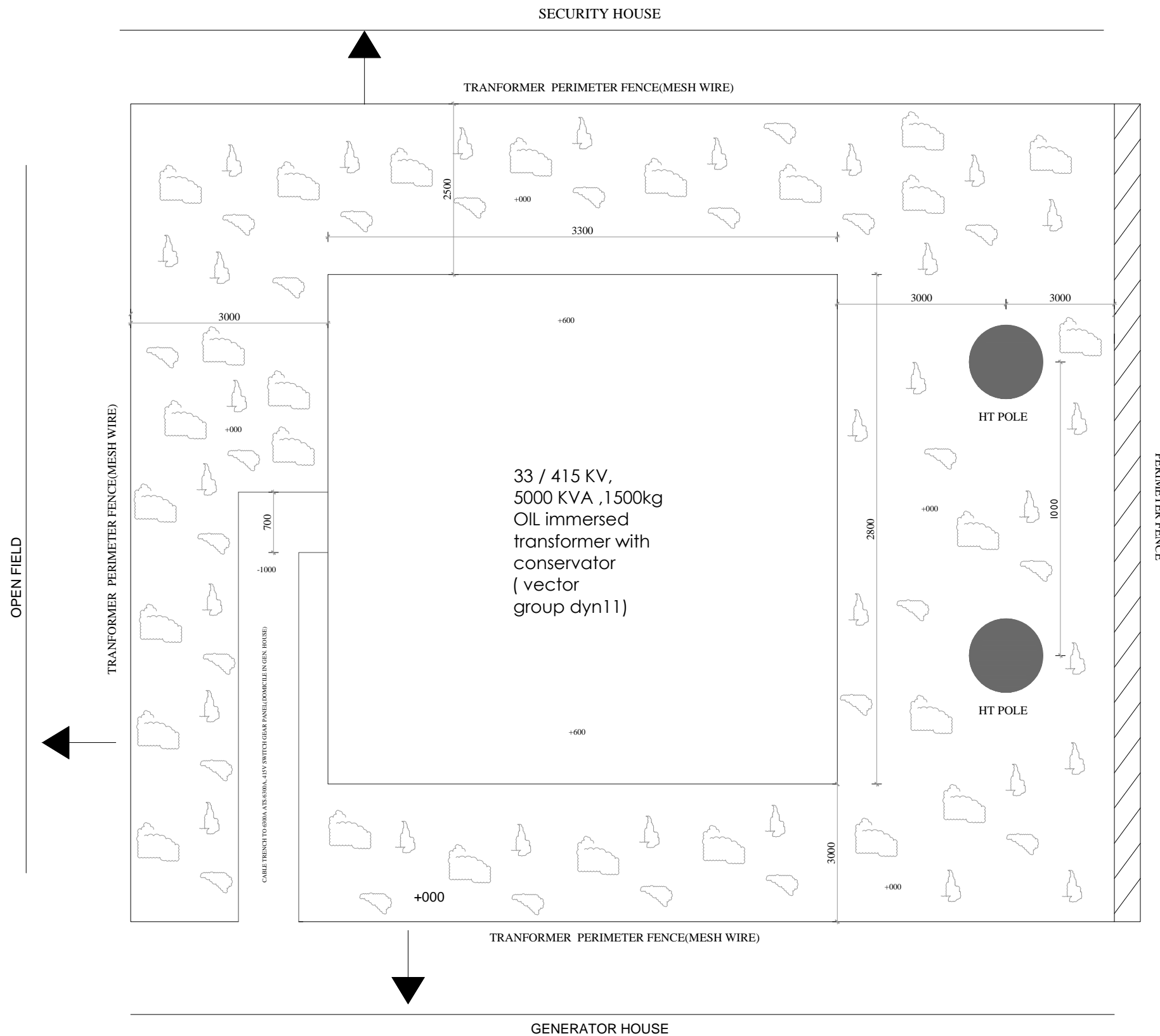
checked by: Nnadi Johnson

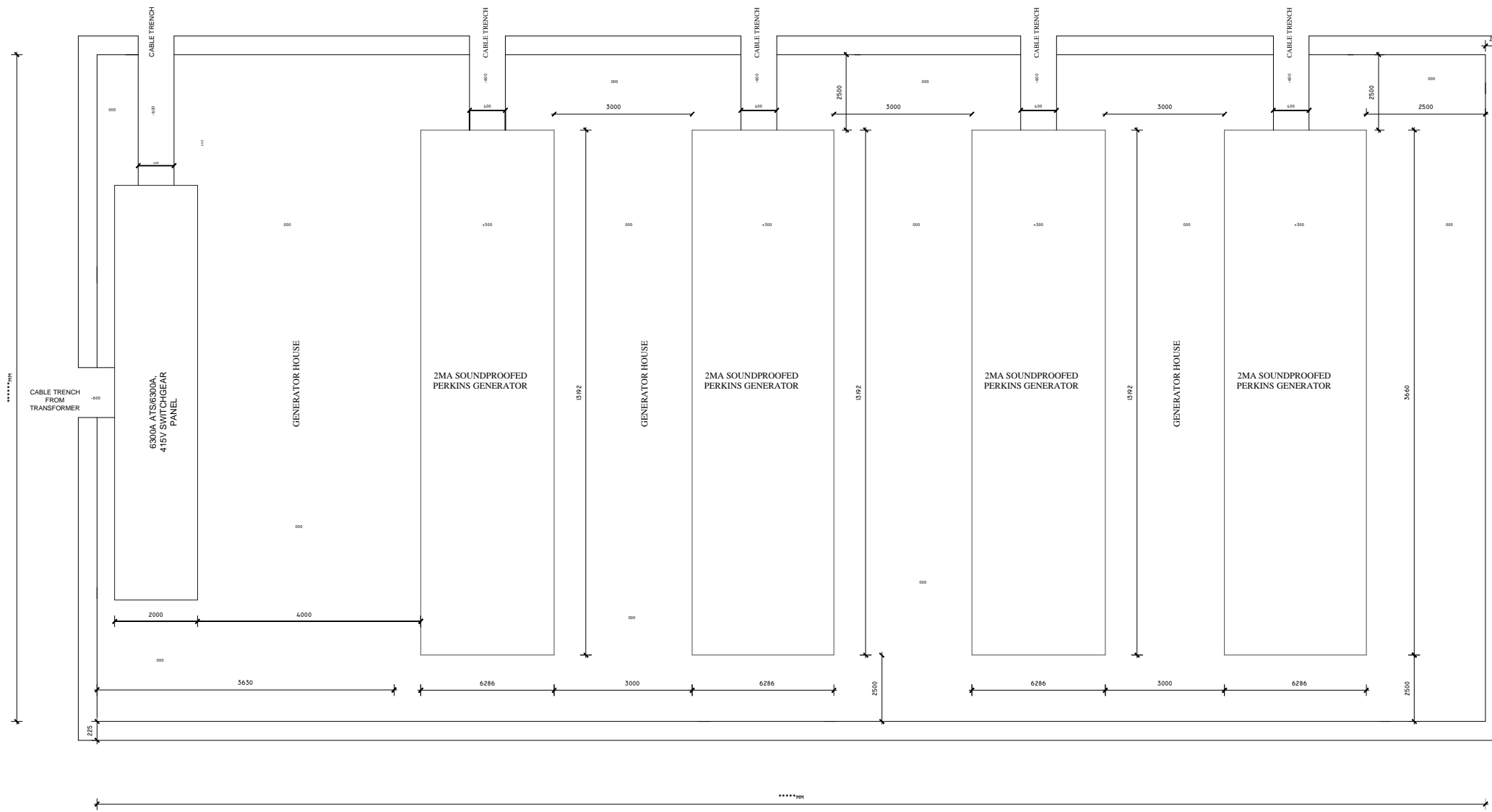
approved by:

scale : 1:1000

revision: 1.1.0

date : november, 2021.





Land Use Analysis

land use	area(sqm)	area(ha)	area(%)	colour
residential				
comercial				
recreation				
circulation				
industrial				
public				
public				
total				

sheet no: 11

client: total cooperative

drawing title: generators plinth details

project: site and services scheme

location: trans amadi garden, port harcourt city
local government area, rivers state, nig.

Consultant:
 . ENGINEERING DESIGNS
 . CONSTRUCTION
 . PROCUREMENT
 . REAL ESTATE DEVELOPMENT
 NO. 5, Nnanta Close, Off Ekere Street,
 Port-Harcourt, Rivers State.
 PHONE: 08184243382, 08023253100
 E-MAIL: geodyamicsresponse@yahoo.com

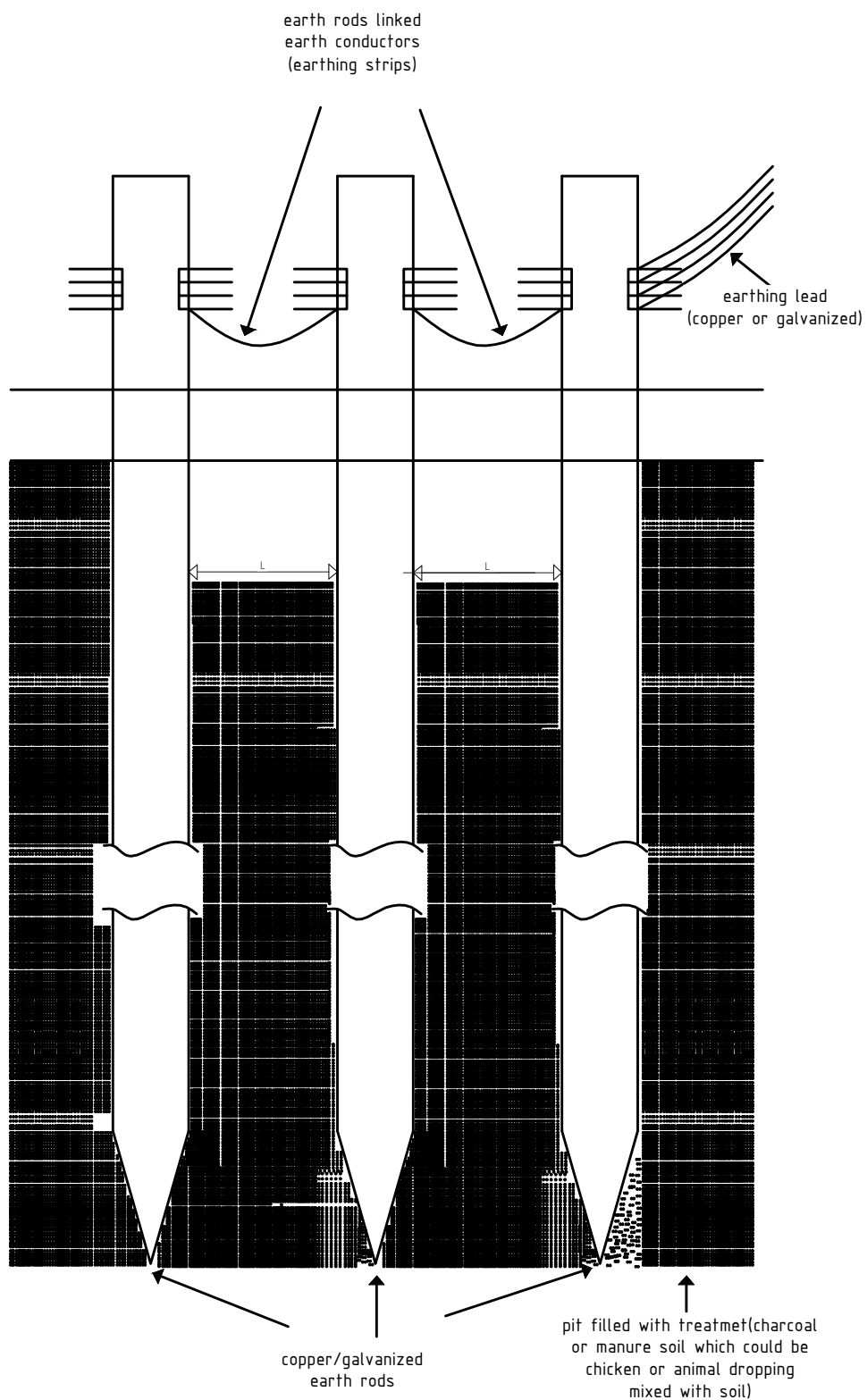
designed by: Idongesit I. Enang

drawn by: Idongesit I. Enang

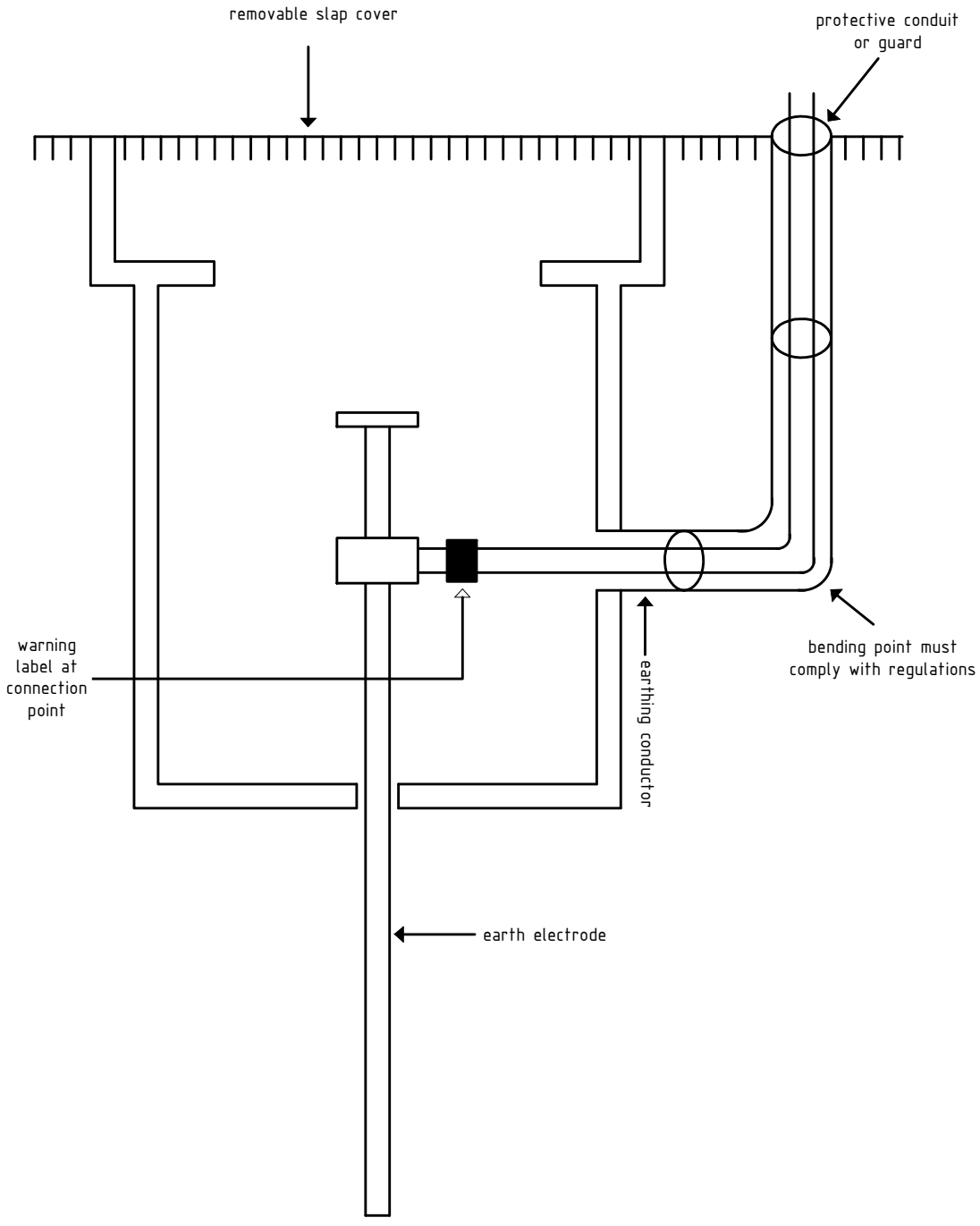
checked by: Nnadi Johnson

approved by:

scale : 1:1000
 revision: 1.1.0
 date : november, 2021.



EARTHING SYSTEM ARRANGEMENT(GALVANIZED ELECTRODE)



EARTH ELECTRODE INSTALLATION SHOWING ACCESS AND INSPECTION/TESTING POINT.

Land Use Analysis				
land use	area(sqm)	area(ha)	area(%)	colour
residential				
comercial				
recreation				
circulation				
industrial				
public				
total				

sheet no: 12

client: total cooperative

drawing title: earthing arrangement

project: site and services scheme

location: trans amadi garden, port harcourt city local government area, rivers state, nig.

Consultant:

- ENGINEERING DESIGNS
- CONSTRUCTION
- PROCUREMENT
- REAL ESTATE DEVELOPMENT

No. 5, Nnanta Close, Off Ekere Street, Port-Harcourt, Rivers State.

PHONE: 08184243382, 08023253100

E-MAIL: geodyamicsresponse@yahoo.com

designed by:	Idongesit I. Enang	
drawn by:	Idongesit I. Enang	
checked by:	Nnadi Johnson	
approved by:		
scale :	revision:	date :
1:1000	1.1.0	november, 2021.